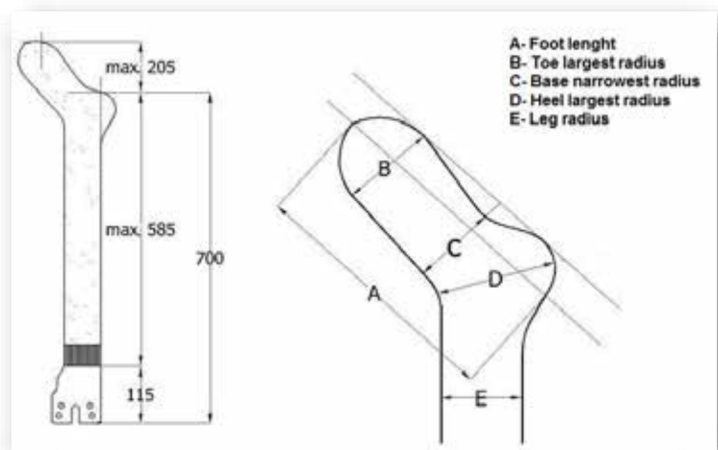


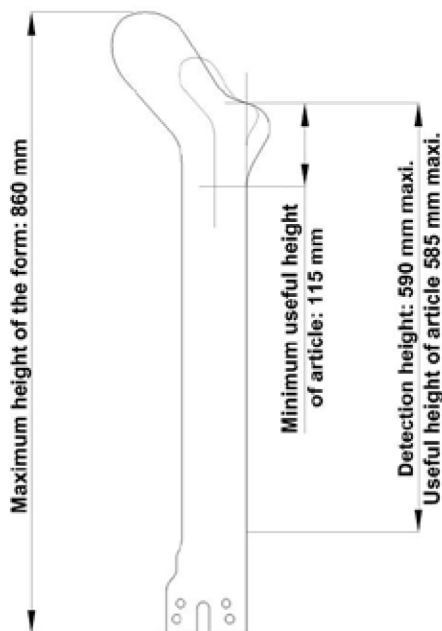
FORMS FOR FOOTWEAR ARTICLES

HELIOT SOCK FORMS SIZE TABLE

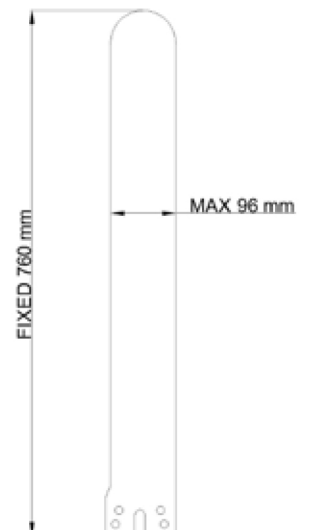
Form Number	Shoe Number	Kids	Women	Men	A (mm)	B (mm)	C (mm)	D (mm)	E (mm)
3	14	1M (month)			103	48	45	65	41
3,5	16	2M (months)			115	58	54	75	49
4	18	3M (months)			124	59	55	76	50
4,5	20	6M (months)			136	62	56	79	52
5	21-22	1Y (year)			149	68	62	86	56
5,5	23-24	2Y (years)			160	71	64	89	58
6	25-26	4Y (years)			174	73	64	92	61
6,5	27-28	6Y (years)			187	76	68	96	64
7	29-30	8Y (years)			200	80	70	100	66
7,5	31-32	10Y (years)			211	80	73	103	68
8	33-34	12Y (years)	0		224	85	74	106	71
8,5	35-36	14Y (years)	1		235	85	77	109	72
9	37-38		2	H0	247	88	79	114	76
9,5	39		3	H1	261	92	83	118	79
10	40-41		4	H2	272	95	86	122	81
10,5	42-43		5	H3	285	98	89	125	83
11	44			H4	299	103	93	129	86
11,5	45			H5	312	104	94	133	87
12	46			H6	324	107	95	136	90
12,5	47			H7	338	108	96	136	91
13	48			H8	352	117	102	143	95
13,5	49			H9	364	117	102	143	96



Standard model form



Straight Form



SOCKS FINISHING



www.heliotinternational.com